

PLC-K532 - Analog Output Expansion Module



FEATURES

- **Current and Voltage Outputs**
- **Provides Wide Output Range**
- **Up to 6 Analog Output Modules in One PLC-K5 System**
- **12-bit Conversion for High-Resolution Measurement**
- **Very Reliable +/-0.3% Error**



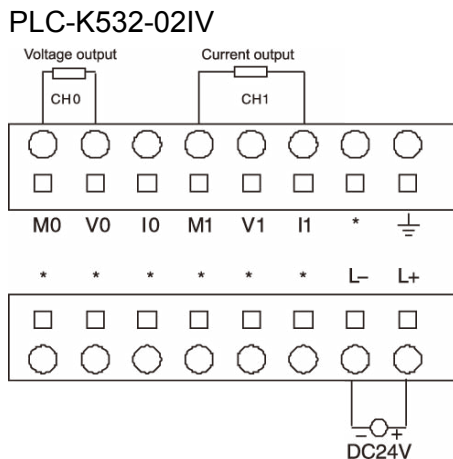
DESCRIPTION

The PLC-K532-02IV is an Analog Output Expansion Module that reads in a digital value from the PLC and outputs either a voltage or current that reflects that digital value. This unit has a 12-bit digital output resolution allowing the user to increment in 976 μV or 3.9 μA steps. The PLC-K532-02IV can output a current range of 0-20 mA or 4-20 mA, and a voltage range of 1-5 Vdc or 0-10 Vdc. The K531 series has an accuracy of +/- 0.5% to ensure a precise reading. These modules are attached to the PLC-K5 CPU series to provide analog output capabilities. Up to 6 of the analog output modules can be attached to the K5 series CPUs, allowing for a maximum of 12 analog outputs or 14 analog outputs if using the PLC-K506EA-30AT.

SPECIFICATIONS

Parameter	PLC-K532-02IV
Output Channels	2
Signal Type	4-20 mA, 0-20 mA, 1-5 Vdc, 0-10 Vdc
Output Accuracy	0.5% F.S.
Parameter Configuration	Each Channel Can be Configured Separately by Kincobuilder Software
Signal Limitation	Cannot Exceed Chosen Range
Module Width	50 mm

WIRING DIAGRAMS



EXPANSION



In each system, the CPU module is arranged in the leftmost end, and expansion modules are connected to the expansion interface on the right.

A cable slot is designed on the left side of each expansion module. The expansion cable can be put in the cable slot to ensure seamless interconnection between modules after installing.

L011340